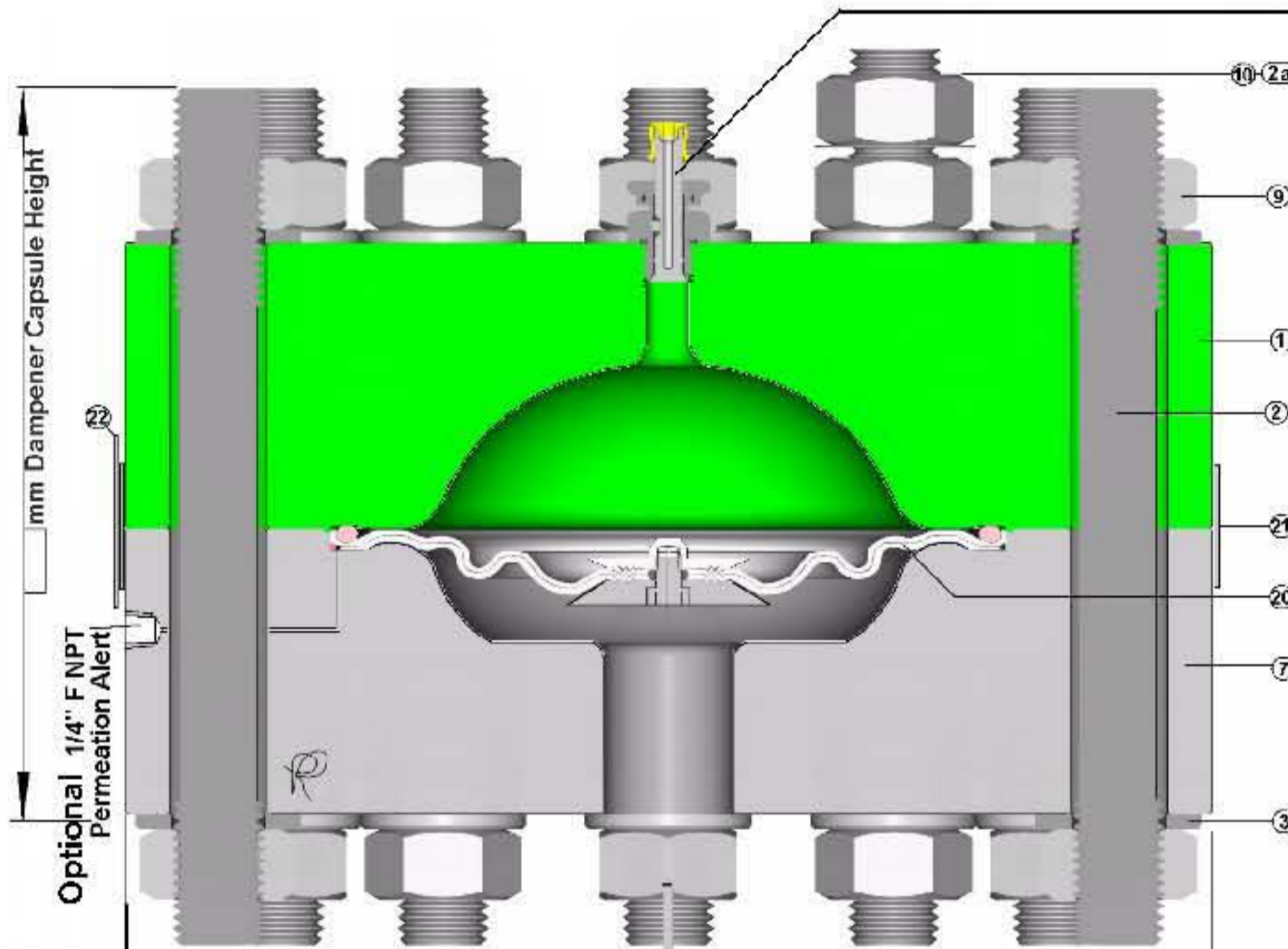


PULSEGUARD "FLEXORBER HP"



Since 1979

"FLo" Series Pulsation Damper, with options. 316L or A20 wetted metal plus PTFE Membrane.



Nitrogen Pre-Fill Valve 9019c type, 304ss 1/2" x 20 tpi w & 0.305" 32 tpi

Also included in spare Kit.

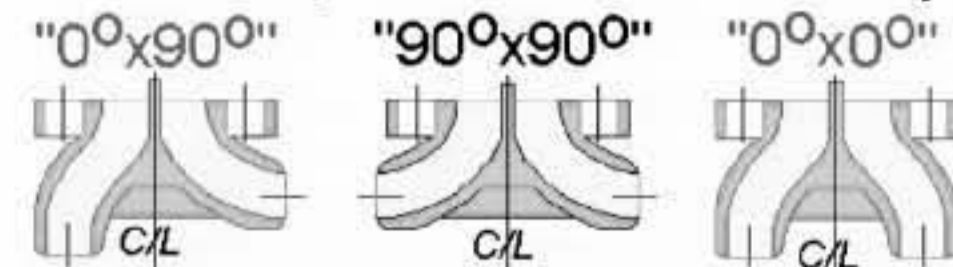
See Also "Pre-Fill Valve Options Drawing"

For Use with Pre-Fill Pressures above 5000psi / 350 bar.

DECLARATION as required by PED
Mandatory Essential Safety Requirement "ESR" state under design 2 at 2.1 the use of: "SAFETY COEFFICIENTS" this can not be complied with because neither EN 5500 nor EN 13445 have any Safety Coefficients.
Accordingly: it must be a fraud for any notified body to issue a certificate of conformity.

Connection Options

—AND— PulseGuard "Y-T" block, best flanging to system. In place of System "T", better flushing, & intercepts Pressure wave pulsation. For 37.5° butt weld only.

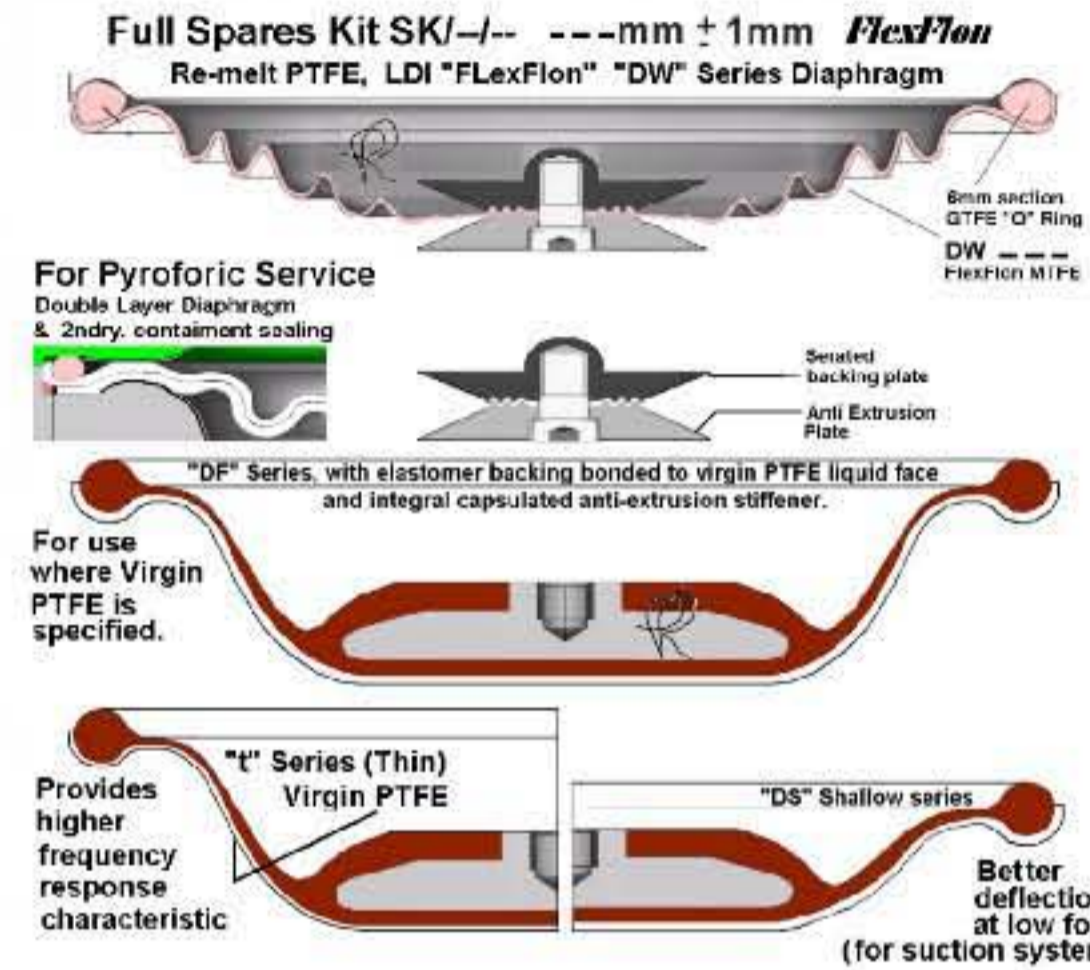


Called - Weld connection angles to this system fitting C/L



PulseGuard "Top-Hat"

Allows flushing of pipe "crud" and pipe hydro-test before damper bolt on. May also replace damper during service.



Item Nbr	Description / function	IDENTIFICATION / TRACEABILITY
22	Stainless Steel Data Plate.	Internal "Heat/Cast No" PURCHASE No
21	Split Line Safety Band, Stainless	
20	DW series Diaphragm - Flexflon	
19	Piping base block, up to 4 ports. Above 1" FNPT connections are 37.5 Degree weld bevel, or NPT Male	
18	Face "O" seal	
17	Pressure relief escape groove.	
16	Socket head bolting, 4 equi-spaced 4 by socket heads on PCD	
12	Schedule pipe nozzle,	
10	3 places - All-thread on same Pitch Circle Diameter as boltings	
9	Nuts, 1 for each bolt, 3 per all-thread, provides 1 for mounting	
7	Liquid side. Contact outside bolt circle.	
3	Large, flat washers.	
2a	Bolts 9 places. Mounting, long "all-thread" 3 places. with Diameter reduced to thread root diameter	
1	Nitrogen Side, Carbon Steel,	

Item Nbr	Description / function	Internal "Heat/Cast No" PURCHASE No
↑ BILL OF MATERIALS ↓		
Scale : Please do not print without "MAINTAIN ASPECT RATIO" on, Use A3 paper		
Part Nbr. / Drawing Ref : _____ Date _____ th 200__ Rev Nbr _____		
FLO/ss/_i/_p/DW_/_/"O"/316L-PTFE + PB _"x_" M NPT 316L		

PulseGuard <http://www.PulseGuard.com>
<http://www.PulseGuard.co.uk>
PulseGuard für Deutschland www.pulsationdaempfer.com
PulseGuard, de langue Francaise amortisseurs-de-pulsations.com
PulseGuard, en Espanol / sud Amerique amortiguador-de-pulsaciones.com
PulseGuard, dlya Russkogovoryaschih pulsations-dampfer.com

PulseGuard is the USA registered trade mark of PulseGuard Inc.
PulseGuard is the UK registered trade mark of PulseGuard Ltd.

UK --44(0)161-480-9625 USA ---1910-270-2737